

SERVICE APRÈS-VENTE :

Conair Consumer Products ULC

Service Department

100 Conair Parkway, Woodbridge, Ontario,
L4H 0L2

©2020 CONAIR CONSUMER PRODUCTS ULC

20CN035123

Brevet en instance

Pour en savoir plus sur les produits Conair,
composez le :

1-855-926-6247 ou

Visitez notre site Web : www.conaircanada.ca

Courriel du centre d'appels à la clientèle :

Consumer_Canada@Conair.com

IB-16873

Unbound™ | petite

BEAUTY IN MOTION

Instruction and Styling Guide

Model CR310C



BROUGHT TO YOU BY CONAIR®

NOTE: CONTAINS 1 LITHIUM ION BATTERY. AIRLINE RESTRICTIONS MAY APPLY. CHECK WITH YOUR CARRIER.

IMPORTANT SAFETY INSTRUCTIONS

When using electrical appliances, especially when children are present, basic safety precautions should always be taken, including the following:

READ ALL INSTRUCTIONS BEFORE USING ***KEEP AWAY FROM WATER***

DANGER — Any appliance is electrically live even when the switch is off. To reduce the risk of death by electric shock:

1. **Always unplug appliance immediately after using.**
2. Do not use while bathing or in the shower.
3. Do not place or store appliance where it can fall or be pulled into a tub or sink.

4. Do not place in, or drop into water or other liquids.
5. If an appliance falls into water, unplug it immediately. **Do not reach into the water.**

WARNING — To reduce the risk of burns, electrocution, fire, or injury to persons:

1. **This appliance should never be left unattended when plugged in.**
2. **Do not pull, twist, or wrap line cord around appliance.**
3. This appliance should not be used by, on or near children or individuals with certain disabilities.
4. Use this appliance only for its intended use, as described in this manual. Do not use attachments not recommended by the manufacturer.
5. **Never operate this appliance if it has a damaged cord or plug, if it is not working properly or if it has been dropped or damaged, or dropped into water. Return the appliance to an authorized service center for examination and repair.**

6. Keep the cord away from heated surfaces.
7. Never use while sleeping.
8. Never drop or insert any object into any opening or hose.
9. Do not use outdoors or operate where aerosol (spray) products are being used or where oxygen is being administered.
10. Unit is hot when in use. Do not let heated surface touch eyes or skin.
11. **Do not place the heated unit directly on any surface while it is hot or plugged in.**
12. Never block the air openings of the appliance or place it on a soft surface, such as a bed or couch, where the air openings may be blocked. Keep the air openings free of hair, lint and other debris.
13. Do not use an extension cord with this appliance.
14. Do not touch hot surfaces of the appliance. Use handles or knobs.
15. Do not attempt to touch the housing of your appliance near the plates, as it is hot when in use.
16. If using another charging cable, please use one that can be charged with a charging current of 1A or more.
17. When the product is charging, do not leave it unattended. Be sure to remove the charger when product is fully charged.
18. Do not pull the charging cable directly.
19. This product is for household use only.
20. This product is not a toy. Keep away from children.
21. **Caution:** Risk of fire and burns. Do not open, crush, heat above 140°F or incinerate.
22. This appliance is not intended for use by persons (including children) with reduced physical, sensory or mental capabilities, or lack of experience and knowledge, unless they have been given supervision or instruction concerning use of the appliance by a person responsible for their safety.
23. Children should be supervised to ensure that they do not play with the appliance.

SAVE THESE INSTRUCTIONS

OPERATING INSTRUCTIONS

Charging volt/power: DC 5V/5W
ICR18650 battery cell volt: 3.7V
Battery capacity: 2600mAh

1. Plug the USB cable into the USB port of an adapter.
2. Charge the unit fully overnight before your first use. Indicator light will flash while charging. Once solid, the unit is fully charged and ready to use.
3. The unit may become a little warm when charging or during use. This is normal.
4. Preserving the battery: In order to maintain the optimum capacity of the rechargeable battery,

the battery should be recharged for 3 hours approximately every 3 months.

NOTE: Charge time may vary depending on type of adapter and power source being used. For fastest charging time, use a 5V/1A adapter.

USER MANUAL

Before using the supplied USB charging cord, read these instructions carefully.

Rating required when connecting the USB port to a computer/adapter:

Rated input voltage: 100-240V AC, 50/60Hz 0.2A

Rated output: 5V DC 1A

OPERATION

1. For dry location use only. Do not expose to water.
2. Unit will become hot during operation.
3. Unplug USB charging cord when not in use.

CAUTION

1. Dry location use only. Do not expose to liquids, vapor, or rain.
2. If using a USB power adapter, be sure the micro USB input is plugged into the unit before plugging the USB charging cord into the adapter and outlet.
3. Do not operate any appliance that has a damaged output cord or housing.
4. Always unplug the unit before cleaning and when not in use.

OPERATING PRECAUTIONS

This flat iron has a built-in, rechargeable battery. Do not burn, apply heat, charge, or use or leave in a high-temperature environment.

NOTE: Do not use this styling appliance on hair extensions.

TROUBLESHOOTING

If your rechargeable flat iron does not seem to be taking a charge, follow these steps before returning it for repair:

1. If using a USB power adapter in an electrical outlet, check to see if the outlet is working by plugging in another appliance to test it.
2. If using a USB power adapter, check to see if the adapter is working by plugging in another USB device.
3. If both the adapter and outlet are working, try another micro USB cord.

4. Make sure the micro USB connector is pushed all the way into the micro USB input on the unit.
5. Make sure the environment is not too cold or too hot.
6. Make sure unit is completely cool before charging.

FLAT IRON CHARGING PRECAUTIONS

- Avoid charging the battery at temperatures below 41°F (5°C) or above 104°F (40°C).
- Avoid charging the battery in direct sunlight or near a radiating heat source.
- Even though the flat iron may not be used for an extended period of time, charge every 3 months for approximately 3 hours to preserve battery life.

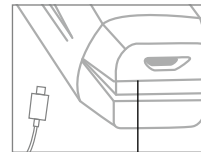
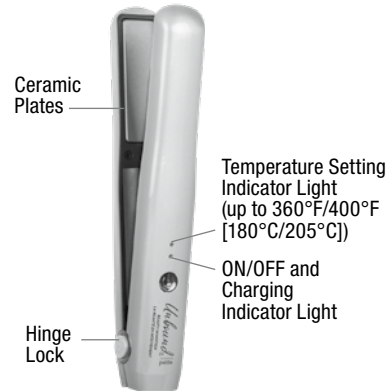
GETTING TO KNOW YOUR FLAT IRON

Eliminate frizz and straighten with your Unbound™ Petite Flat Iron.

Features:

- Ceramic-coated plates
- Micro USB for charging
- 60-second heat-up
- LED indicator light
- Hinge lock
- Auto off
- Up to 20-minutes of cord-free runtime*

*Depending on hair type and length



GETTING STARTED

- Before using, fully charge the product for maximum battery performance, and always be sure to read all the instructions.
- Press and hold ON/OFF button for 2 seconds. Temperature setting indicator light will blink.
- Press ON/OFF button to choose temperature.

NOTE: Press and hold the ON/OFF button for 2 seconds to turn flat iron off. If you forget to turn it off, it will shut off automatically after 15 minutes if not used.

THE CERAMIC, EASY-GLIDE STYLER

The Unbound™ Petite styler has a ceramic, easy-glide surface. This is the newest technology. It not only makes it simpler to clean off styling product residue, etc., after each use, but you'll find that hair glides easily over the surface of the heating plates. The ceramic surface also helps smooth down flyaways and frizzies for added shine.

The styler evenly distributes heat so that the style you create has a salon-perfect, silky smooth, shiny finish.

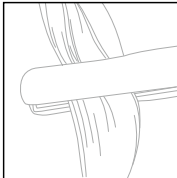
Ceramic technology makes styling hair easier, and gives you professional results.

TO STRAIGHTEN HAIR

Hair should be clean and completely dry before using the flat iron. For best results, use a light styling product before blow-drying hair.

1. Start with a hair section that is ½ inch wide and no more than ½ inch thick.
2. Open the iron and place the hair section between the two hot plates, close to the scalp. Trap hair between the plates by firmly squeezing the handles together.
3. While maintaining the tension, slowly pull the unit down along the hair section toward the ends.
4. At the ends, release the pressure on the handle and allow the hair to slide out.

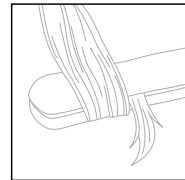
Repeat process on additional sections of hair until you achieve the hairstyle you desire. It may be necessary to repeat process on certain areas, depending on the texture of your hair.



Some experience is necessary when learning to use this flat iron. After using the iron several times, you will learn the ideal way to straighten and style your hair.

STYLE TIPS

- Use a comb as a guide to flatten all cuticles.
- To add flips and waves, secure ends in between plates and wrap hair around the outer housing. It's an easy way to add shape to straight styles. Turn your wrist up or under to create flips, add curl or more body.
- Best to use on short-to-medium length hair.



TIPS

Before using, fully charge the product to get the best performance. Charge time will vary depending on type of adapter and power source being used.

Before preparing to store your flat iron for a long time, fully charge it. Always be sure to charge it at least once every 3 months to keep the flat iron in the best condition.

- When the product is in the charging mode, the battery indicator light will flash.
- When the product is fully charged and the charger is still connected, the battery indicator light remains solid.

NOTE: The light will be off after removing the charger if the product is off.

- When the product is charging, other functions are disabled.
- When the battery is lower than the factory setting, the LED indicator light will flash five times and the unit will automatically shut off.

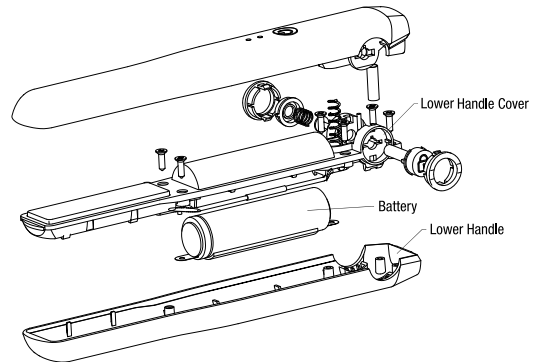
DISPOSAL OF LITHIUM ION BATTERY

This unit has 1 lithium ion battery. To protect the environment, this battery should be removed and properly disposed of when the unit is no longer operating. To remove the battery block for disposal or recovery, follow these instructions:

1. First unplug the unit.
2. Open the battery cover of the unit and remove the battery.
3. To protect the environment, do not dispose of your battery with your ordinary household waste.

For more details on recovery of materials and waste treatment facilities, please contact the waste disposal services in your region.

NOTE: Contains 1 lithium ion battery. Airline restrictions may apply. Check with your carrier.



CONTAINS LITHIUM ION BATTERY. MUST BE COLLECTED, RECYCLED OR DISPOSED OF PROPERLY. DO NOT DISPOSE OF IN THE MUNICIPAL WASTE.

USER MAINTENANCE

Your flat iron is virtually maintenance free. No lubrication is needed. Keep all vents and openings clear of dirt and dust. If cleaning becomes necessary, disconnect the unit from the power source, allow to cool and wipe exterior with a cloth. If any abnormal condition occurs, unplug the unit, allow it to cool, and return it for repair to an authorized service representative only. No repairs should be attempted by the consumer.

CAUTION

NEVER allow the USB charging cord to be pulled, twisted, or severely bent. Never wrap the cord tightly around the appliance. Damage will occur at the high flex point of entry into the appliance, causing it to rupture and short circuit. Inspect the cord frequently for damage. Stop use immediately if damage is visible or if unit stops or operates intermittently.

STORAGE

This appliance comes with a heat-resistant storage pouch for use during and after styling. During use, do not place the appliance on any heat-sensitive surface, even when using the storage pouch provided. After use, switch off and unplug the appliance from both the wall outlet and the flat iron. Immediately wrap the appliance in the storage pouch provided and allow to fully cool down. **Do not jerk or strain cord at plug connections.** Do not wrap the line cord around the appliance. When storing, keep the cord unplugged from the flat iron. Continue to keep it out of the reach of children, as it will remain hot for several minutes. Store out of reach of children in a safe, dry location. To protect the plates, store unit with plates closed tightly.

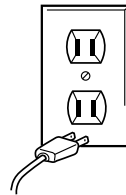
IMPORTANT! The outer material is not heat resistant and the appliance should not be placed on this material while hot.

CLEANING AND MAINTENANCE

- Do not put this product in a dishwasher or washing machine for cleaning.
- This product does not have waterproof functionality. When cleaning, care should be taken to prevent water or other liquids from entering the product from the product gap or interface, resulting in a short circuit of the product.
- Clean up the foreign matter, such as hair, after each use.
- Ensure that the unit has cooled down before carrying out cleaning, maintenance or other care.
- Do not use sharp or corrosive, volatile thinner cleaners.
- Use a soft, damp cloth (with a small amount of nonirritating, volatile, flammable detergent) to clean and wipe the product exterior. When finished, dry with a soft, dry cloth.

**WARNING:
IF YOU THINK
THE POWER IS OFF
WHEN THE SWITCH
IS OFF,
YOU'RE WRONG.**

KEEP AWAY FROM WATER



Everyone knows that electricity and water are a dangerous combination. But did you know that an electric appliance is still electrically live even if the switch is off? If the plug is in, the power is on. So when you are not using your appliances, keep them unplugged.

ALWAYS UNPLUG SMALL APPLIANCES

LIMITED TWO-YEAR WARRANTY (U.S. AND CANADA ONLY)

Conair will repair or replace (at our option) your unit free of charge for 24 months from the date of purchase if the appliance is defective in workmanship or materials.

To obtain service under this warranty, return the defective product to the service centre listed below, together with your purchase receipt. In the absence of a purchase receipt, the warranty period shall be 24 months from the date of manufacture.

ANY IMPLIED WARRANTIES, OBLIGATIONS, OR LIABILITIES, INCLUDING BUT NOT LIMITED TO THE IMPLIED WARRANTY OF MERCHANTABILITY AND FITNESS FOR A PARTICULAR PURPOSE, SHALL BE LIMITED IN DURATION TO THE 24-MONTH DURATION OF THIS WRITTEN, LIMITED WARRANTY.

IN NO EVENT SHALL CONAIR BE LIABLE FOR ANY SPECIAL, INCIDENTAL, OR CONSEQUENTIAL DAMAGES FOR BREACH OF THIS OR ANY OTHER WARRANTY, EXPRESS OR IMPLIED, WHATSOEVER.

IN NO EVENT SHALL CONAIR BE LIABLE FOR ANY SPECIAL, INCIDENTAL, OR CONSEQUENTIAL DAMAGES FOR BREACH OF THIS OR ANY OTHER WARRANTY, EXPRESS OR IMPLIED, WHATSOEVER.

This warranty gives you specific legal rights, and you may also have other rights, which vary from province to province.